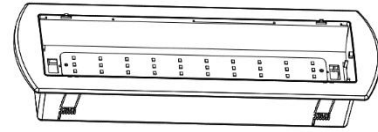


INSTRUCTION SHEET FOR LED EMERGENCY LIGHTING

Package Contents

Part	Description	Quantity
1	LED Emergency Light	1



IMPORTANT SAFEGUARDS

READ AND FOLLOW ALL SAFETY INSTRUCTIONS

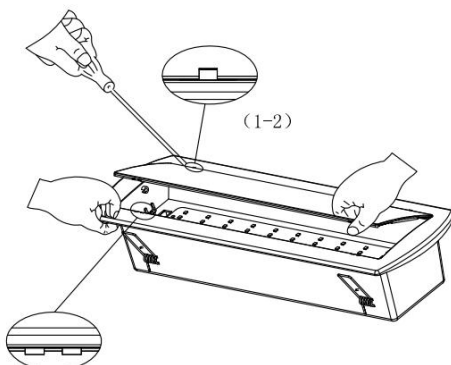
1. Review the diagrams thoroughly before beginning.
2. All electrical connections must be in accordance with local codes, ordinances and the National Electric code.
3. Disconnect power at fuse or circuit breaker before installing or servicing.
4. Do not use outdoors.
5. Do not mount in hazardous locations, or near gas or electric heaters.
6. Do not let power cords touch hot surface.
7. Equipment should be mounted in locations and at heights where it will not be subjected to tampering by unauthorized personnel.
8. The use of accessory equipment not recommend by the manufacturer may cause an unsafe condition.
9. Do not use this equipment for other than intended use.
10. All servicing should be performed by qualified personnel only.
11. Allow battery to charge for 24 hours before first use.

SAVE THESE INSTRUCTIONS

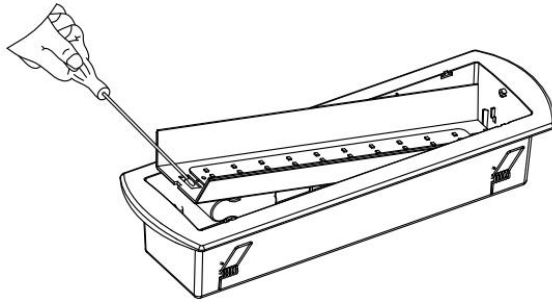
Mounting Instructions

Note: First turn off electricity.

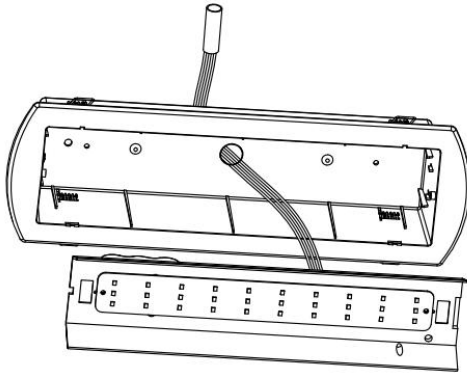
1. Remove the diffuser with a screwdriver.



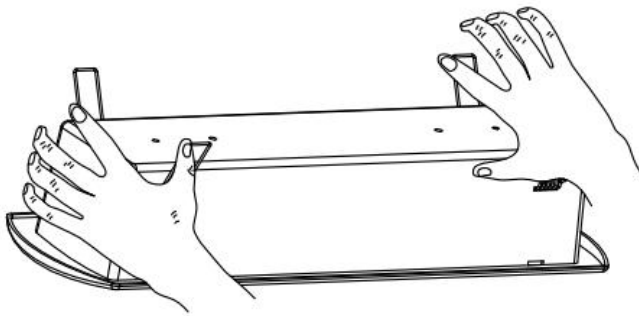
2. Open the LED board with a screwdriver.



3. Connect the device to power supply.



4. Put the fixture into the wall and fix with the spring.



5. Fix it with screws and place the PCB and duffser back, then restore the power.

