

# INSTALLATION INSTRUCTIONS FOR EMERGENCY LIGHTING

---

## *Package Contents*

---

Part	Description	Quantity
1	LED Emergency Exit Sign	1



## *Warnings and Cautions*

---

### IMPORTANT SAFEGUARDS

### READ AND FOLLOW ALL SAFETY INSTRUCTIONS

1. Review the diagrams thoroughly before beginning.
2. All electrical connections must be in accordance with local codes, ordinances and the National Electric code.
3. Disconnect power at fuse or circuit breaker before installing or servicing.
4. Do not use outdoors.
5. Do not mount in hazardous locations, or near gas or electric heaters.
6. Do not let power cords touch hot surface.
7. Equipment should be mounted in locations and at heights where it will not be subjected to tampering by unauthorized personnel.
8. The use of accessory equipment not recommend by the manufacturer may cause an unsafe condition.
9. Do not use this equipment for other than intended use.
10. All servicing should be performed by qualified personnel only.
11. Allow battery to charge for 24 hours before first use.

### SAVE THESE INSTRUCTIONS

## Mounting Instructions

---

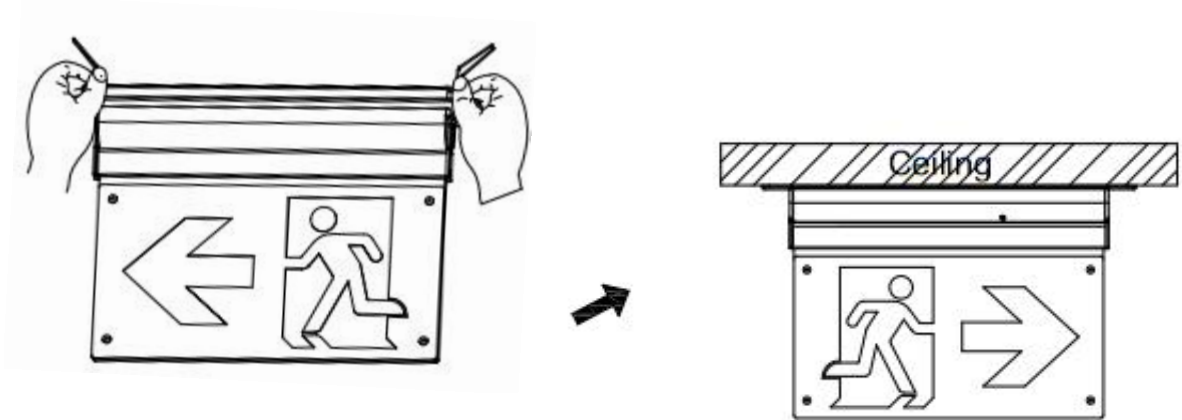
**Note: First turn off electricity.**

1. Open the wire box from the fixture.

Route the proper wires through mounting holes, connect electricity.



2. Recess the fixture to the ceiling through the spring.



3. Test button and indicator light

