

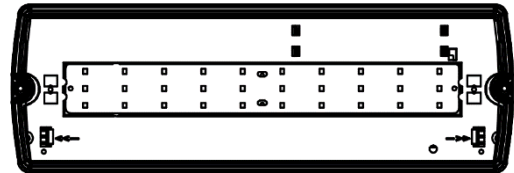
# INSTALLATION INSTRUCTIONS FOR EMERGENCY LIGHTING

---

## *Package Contents*

---

Part	Description	Quantity
1	Emergency Lighting	1



---

## *Warnings and Cautions*

---

### IMPORTANT SAFEGUARDS

### READ AND FOLLOW ALL SAFETY INSTRUCTIONS

1. Review the diagrams thoroughly before beginning.
2. All electrical connections must be in accordance with local codes, ordinances and the National Electric code.
3. Disconnect power at fuse or circuit breaker before installing or servicing.
4. Do not use outdoors.
5. Do not mount in hazardous locations, or near gas or electric heaters.
6. Do not let power cords touch hot surface.
7. Equipment should be mounted in locations and at heights where it will not be subjected to tampering by unauthorized personnel.
8. The use of accessory equipment not recommend by the manufacturer may cause an unsafe condition.
9. Do not use this equipment for other than intended use.
10. All servicing should be performed by qualified personnel only.
11. Allow battery to charge for 24 hours before first use.

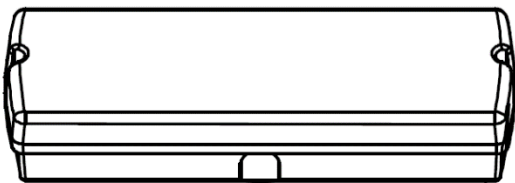
**SAVE THESE INSTRUCTIONS**

# Mounting Instructions

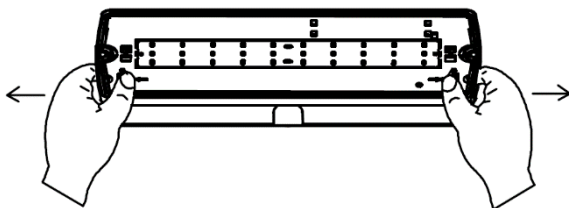
**NOTE: First turn off electricity.**

## Wall and ceiling mounting

1. Twist off the screws of fixture with a screw driver.



2. Push the buckle to open the fixture.



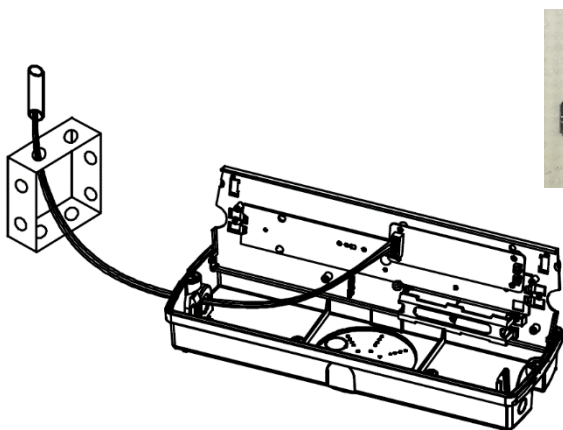
### 3. ELECTRICAL CONNECTIONS

Make the proper supply wire connections.

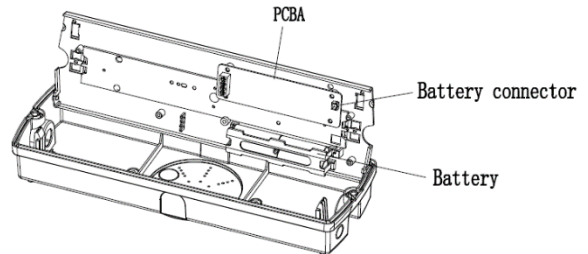
Connect L and N to building utility.

If using maintained working mode, put the DIP in the ON.

If using Non-maintained working mode, put the DIP in the OFF.



4. Connect the battery to connector on the PCBA.



5. Push the fixture back and twist on the screws. Restore power and cut off again, the LED will work with backup battery on emergency mode. Restore power again to complete the installation.

