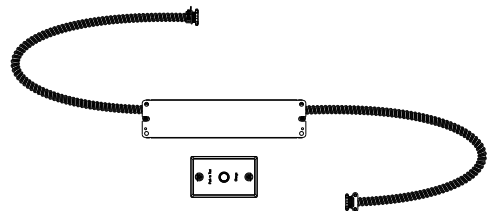


INSTALLATION INSTRUCTIONS FOR EMERGENCY LIGHTING

CR-7076

Package Contents

Part	Description	Quantity
1	Emergency Lighting	1
2	Hardware Kit	1



Warnings and Cautions

IMPORTANT SAFEGUARDS

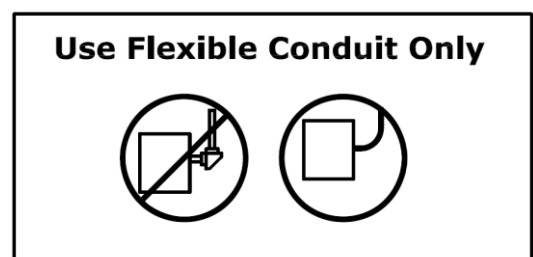
READ AND FOLLOW ALL SAFETY INSTRUCTIONS

1. Review the diagrams thoroughly before beginning.
2. Please make sure the voltage is consistent with the voltage of this product before charging.
3. If the product is not used for a long time, it must be charged for more than 8 hours every 3 months.
4. When not using this product, please turn off all working functions.
5. The best operating ambient temperature of this product is 0°C-40°C.

method of application

This product is suitable for LED Lighting of continuous or non-continuous lighting in movie theater, shopping mall, hotel, bank, hospital, apartment, civil air defense engineering, underground facilities and other emergency situations. When the normal lighting power supply fails, provide effective input for emergency lamps so that they can continue to work without interruption. Widely used in public places and places without intermittent lighting.

SAVE THESE INSTRUCTIONS



Mounting Instructions

NOTE: First turn off electricity.

installation method

After opening the package of this product, please install the product in the following way before using it.

1. Please connect the product wires according to figure 1 (wiring diagram)
2. The product can be installed on the wall or ceiling as shown in FIG. 2.

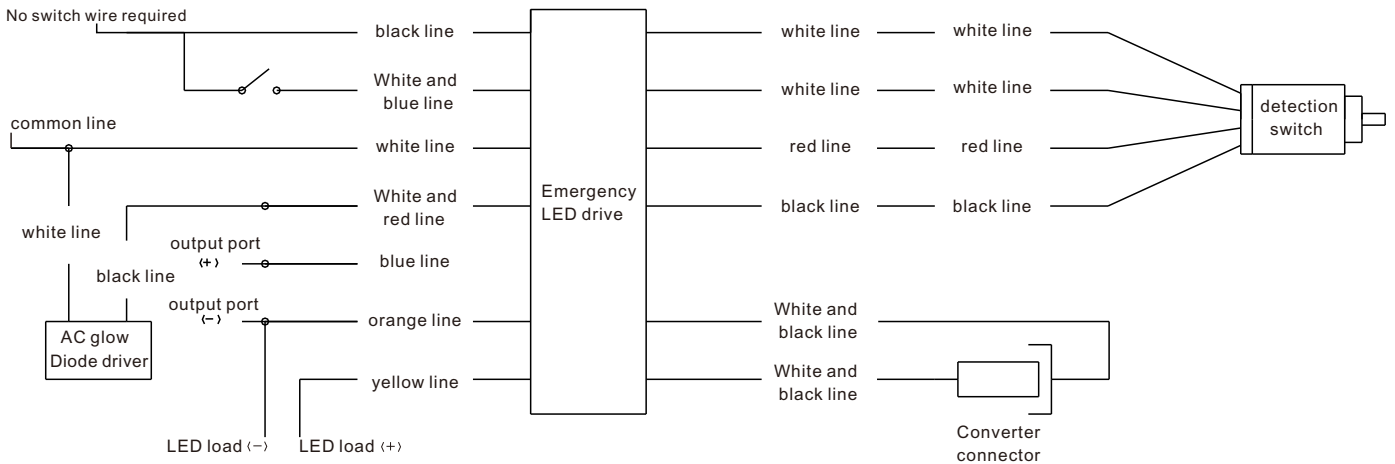


figure 1

Emergency ballast

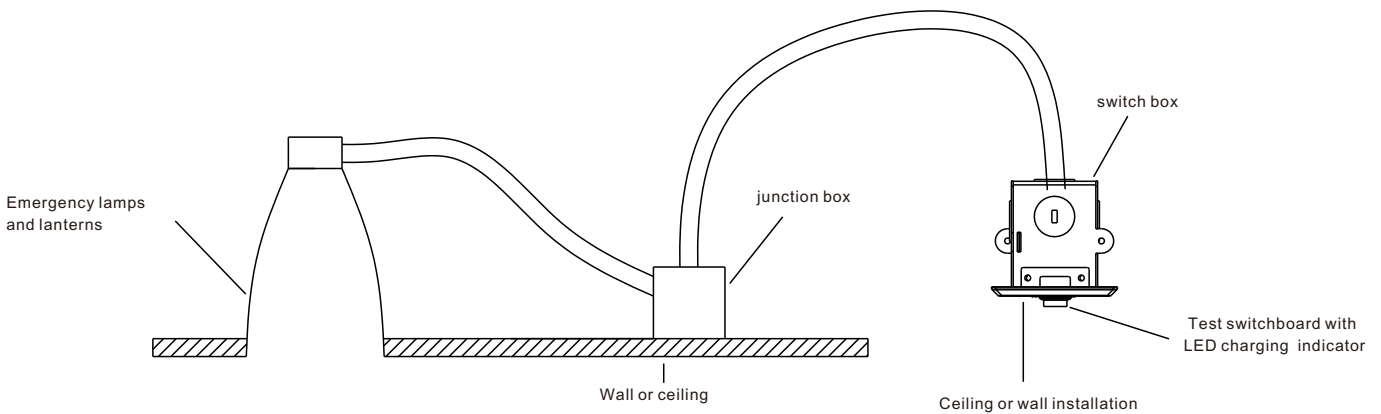


figure 2