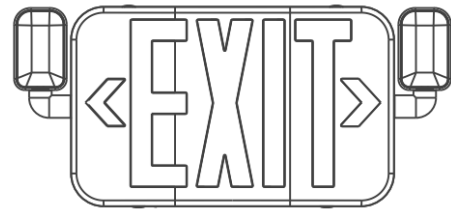


INSTALLATION INSTRUCTIONS FOR EMERGENCY LIGHTING

Package Contents

Part	Description	Quantity
1	Emergency Lighting	1
2	Hardware Kit	1



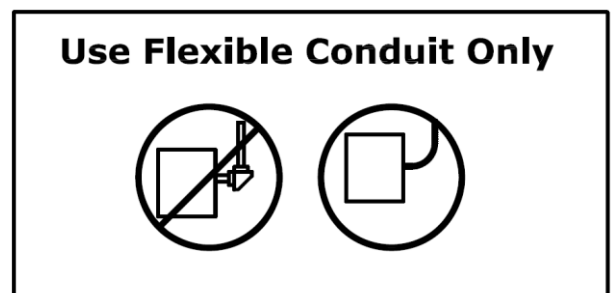
Warnings and Cautions

IMPORTANT SAFEGUARDS

READ AND FOLLOW ALL SAFETY INSTRUCTIONS

1. Review the diagrams thoroughly before beginning.
2. All electrical connections must be in accordance with local codes, ordinances and the National Electric code.
3. Disconnect power at fuse or circuit breaker before installing or servicing.
4. Do not use outdoors.
5. Do not mount in hazardous locations, or near gas or electric heaters.
6. Do not let power cords touch hot surface.
7. Equipment should be mounted in locations and at heights where it will not be subjected to tampering by unauthorized personnel.
8. The use of accessory equipment not recommend by the manufacturer may cause an unsafe condition.
9. Do not use this equipment for other than intended use.
10. All servicing should be performed by qualified personnel only.
11. Allow battery to charge for 24 hours before first use.

SAVE THESE INSTRUCTIONS

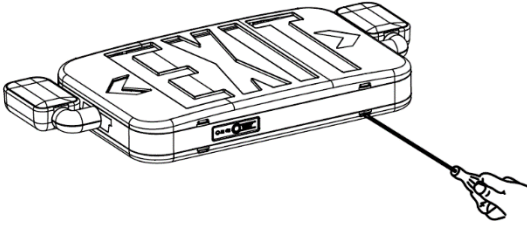


Mounting Instructions

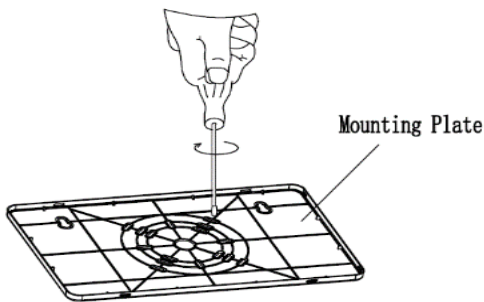
NOTE: First turn off electricity.

Wall mounting

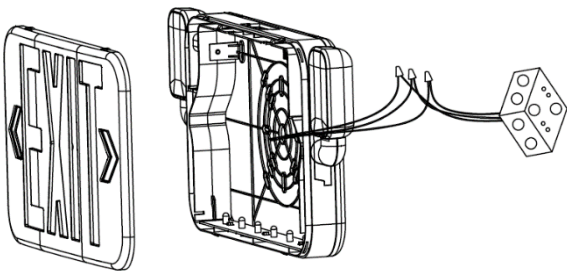
1. Remove mounting plate from fixture.



2. Knockout in back of mounting plate and push wires through the hole.



3. Securely attach mounting plate to J-box (not provided).

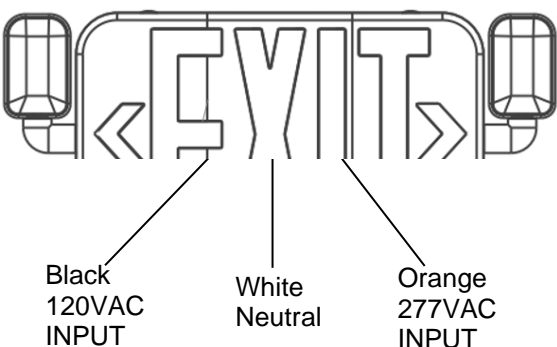


4. ELECTRICAL CONNECTIONS

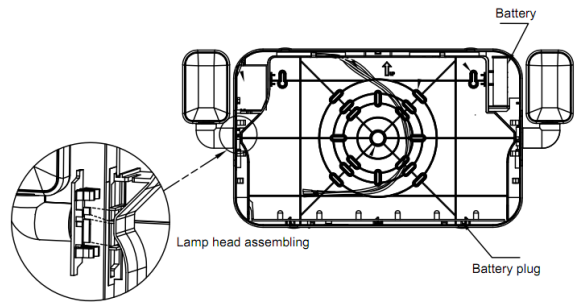
Make the proper supply wire connections.

If using 120VAC, connect the black and White wires to the building utility.

If using 277VAC, connect the Orange and White wires to the building utility.



5. Connect the battery to connector on the PCBA.



6. Snap fixture onto mounting plate and ensure no wires are pinched. Make sure unit is fully attached.

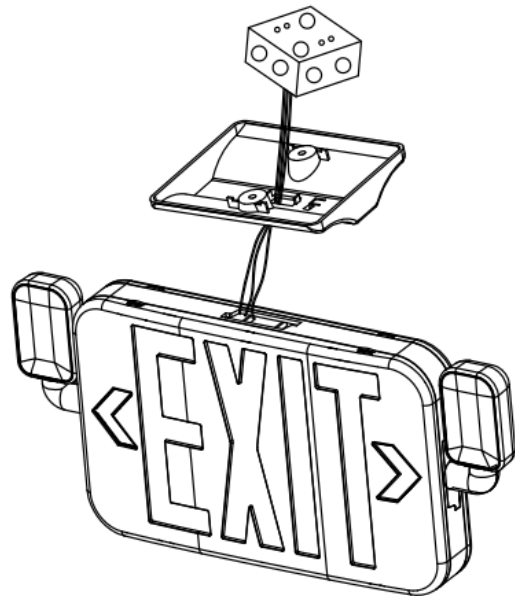
7. Restore power and press test button. Battery powered LED will come on, AC light will turn off.

Ceiling Mounting

1. Open top cover and knockout on the top of fixture.

2. Secure the mounting plate to tube with nut.

3. Push the wires through hole for ceiling mounting.



4. Reference step 4-7 in wall mounting above for ceiling mounting.